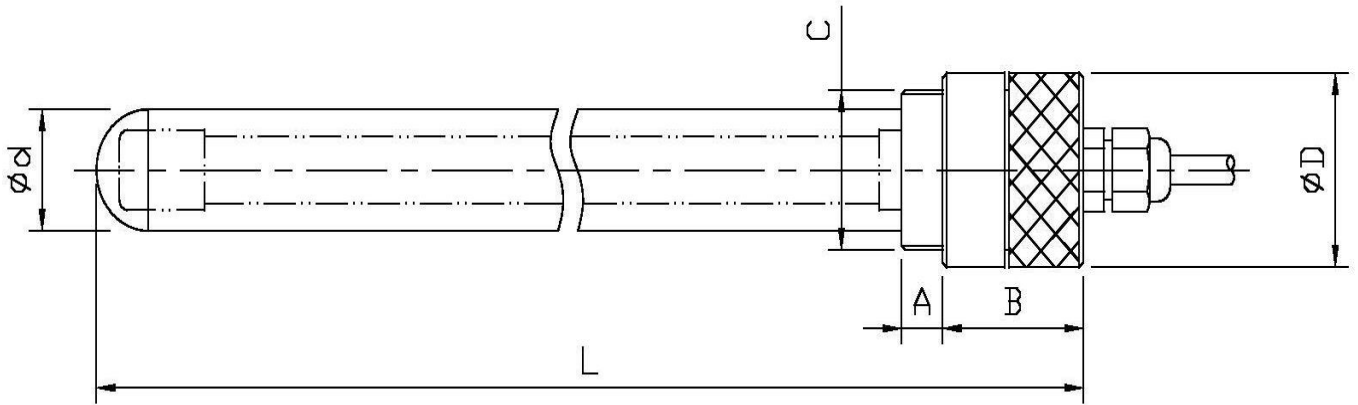


# Submersible UV Sterilizer Manual

## Parameter



Type	Power(Watt)	Amalgam Lamp	Disinfection Volume(L)	A(mm)	B(mm)	C(mm)	D(mm)	d (mm)	L(mm)
CUV-FJ40	40	GPHA357T5L	5000	10	35	M32x2	40	25	404
CUV-FJ80	80	GPHA650T5L	8000	10	35	M32x2	40	25	700

## Instructions

1. Working voltage:AC110V~240V±10% (50Hz/60Hz;Working Temperature:  $t_c < 50^{\circ}\text{C}$ ; Working Environment Temperature Range:  $t_c: 5^{\circ}\text{C}-50^{\circ}\text{C}$ ).
2. The Submersible UV Sterilizer is equipped with Amalgam UV Lamp and high purity quartz sleeve, it produces plenty of 253.7nm UV ray while burning.
3. Designed with waterproof structure, in function of safe, reliable and good performance for certain of range sizes fish tanks and koi ponds of water disinfection.
4. It should be assembled to the place the fish can't reach, such as filter pond. Otherwise UV ray will kill your fish.
5. It has a strong disinfection effect to kill bacteria and virus in the water (algae).  
It has great superiority with water disinfection for 360° direction when diving into water.

### **Notice:**

1. If the Tank is empty of water or fluid, disconnect power supply.
2. Care must be taken when installing the UV lamps and sleeves.
3. Upon installation, inspect the quartz sleeve for cracks or breakage.
4. It is recommended to use an earth leakage protection device.
5. The unit is designed for a maximum pressure is 600kpa.

### **WARNING**

UV Lamps emit ultraviolet radiation that is harmful to exposed skin and eyes. Avoid direct exposure to UV light at all times. Appropriate skin and eye protection must be used.

### **Installation:**

1. Hitch the O-ring (05) on the base (07).
2. Lamp (06) will be inserted into the holder (04), then put them in the Sleeve.
3. Put the stainless steel screw cap (03) on the base (07) and tighten it.
4. Connect waterproof connector (02) with screw cap (03).
5. Turn on water supply, and then switch on power to the UV system.

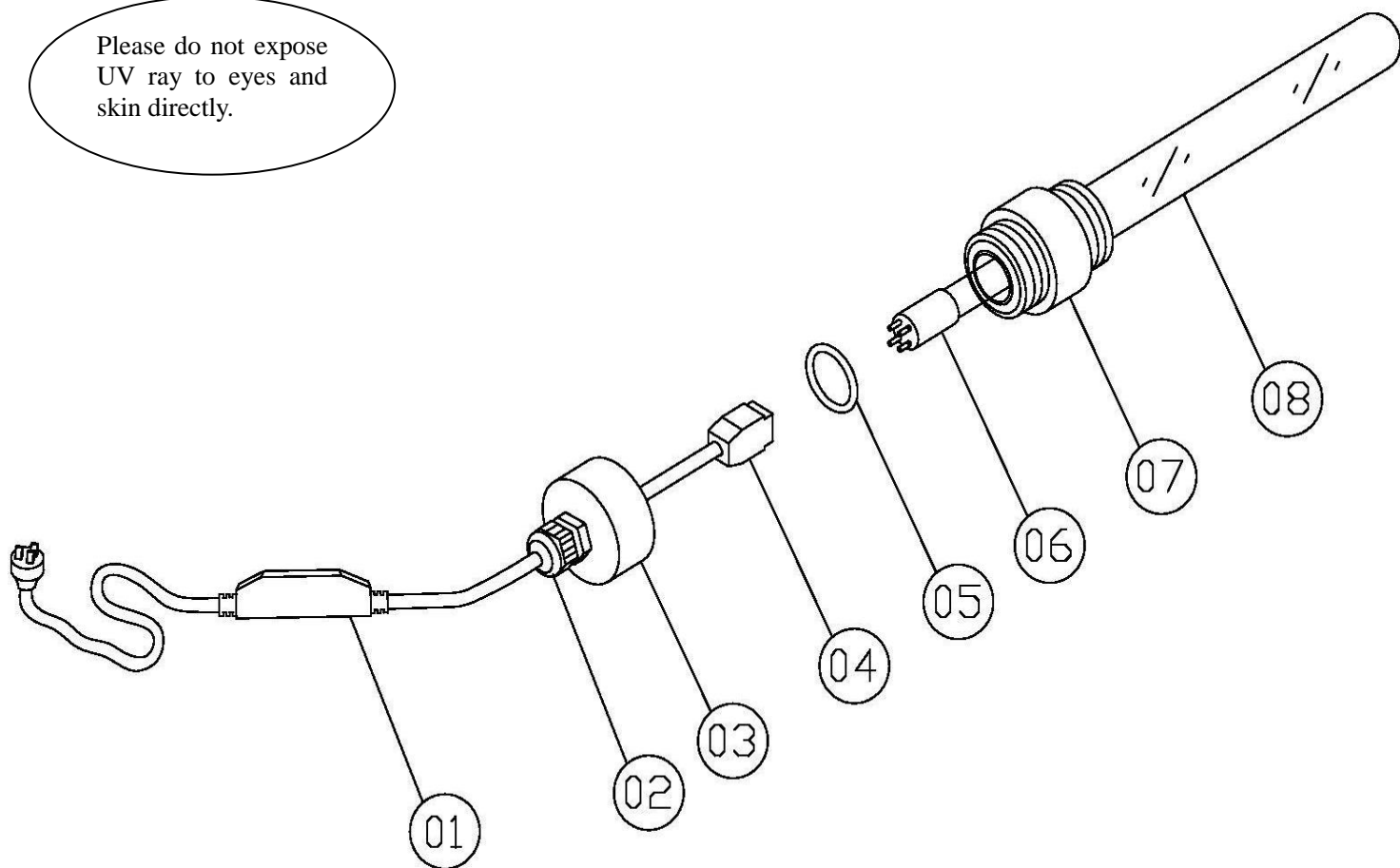
### **Maintenance :**

1. Checking the running of the UV Sterilizer regularly, to find and remove trouble in time.
2. Cleaning the UV Sterilizer regularly, when necessary, can be used for the cleaning agent (such as cleaning agent of glass), to clean the quartz sleeve, but be careful to avoid scratching the quartz surface, in order to ensure the best transmission rate.
3. Ensuring the best bactericidal effect, replace the inside UV Lamp after 10,000 hours working.

### **How to change lamps :**

Pulling screw cap (03) from the base (07) and remove the lamp then can be replaced; fitting to the end like above completely will be in use.(as below graphic)

Please do not expose  
UV ray to eyes and  
skin directly.



**Spare part list:**

Item	Spare parts	Qty.
01	Ballast	1 pc
02	Waterproof connector	1 pc
03	Screw cap	1 pc
04	Holder	1 pc
05	O-ring	1 pc
06	Lamp	1 pc
07	Base	1 pc
08	Quartz sleeve	1 pc